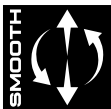




REAPER HELLBOUND SHOOTING REST



**HEAVY DUTY
CONSTRUCTION**



**SMOOTH
PAN / TILT**



**PRECISE
LONG RANGE
PRECISION**



**LOCKING GRIP
0mm-73mm**



**OFFSET
OFFSET GRIP
USER FRIENDLY**



**PROTECTIVE GRIP
KNURLING**



USER MANUAL

EU-KJ86009

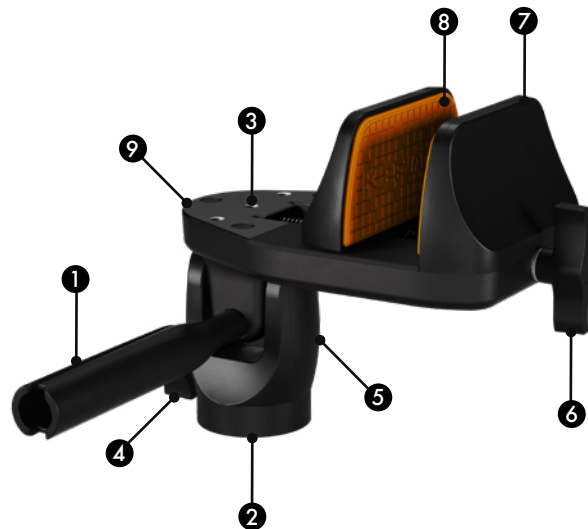
GENERAL DESCRIPTION	
Brand Name	KJI
Model Name	Reaper Hellbound
Category Name	Grips / Mounts
SKU Number	EU-KJ86009
UPC Number	810119014511
TECHNICAL SPECIFICATIONS	
Mount Type	3/8"-16 Threaded
Dimensions, in/mm	8x8x6 / 203.2x203.2x152.4
Vise Width Range, in/mm	0 - 2.875 / 0 - 73
Vertical Rotation Angle	87 Deg Down / 22 Deg Up
Material	Aluminum 6061-T6 / Plastic
Weight, lbs/g	1.75 / 790
Tension Adjustment	Yes
INCLUDED ACCESSORIES	
	Reaper Hellbound Grip
	Hex Key
	Manual

FEATURES

- Lightweight Construction
- Full Tilt, Pan, Clamp Lockup
- Smooth 360° pan & 111° tilt range (22° up, 87° down)
- Tensioning screw for fine tuning tilt movement to user preference.
- Offset grip design for magazine changes during mounted operation & easy manipulation.

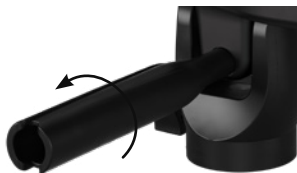
DIAGRAM

1. Control Arm
2. Mounting Base
3. Drag Adjustment Screw (Tilt)
4. Drag Adjustment Knob (Pan)
5. Hinge Block
6. Grip Adjustment Knob
7. Fixed Grip
8. Adjustable Grip
9. Saddle Base / Clamp



ASSEMBLY

To assemble your KJI Reaper Hellbound, simply screw the control arm into the saddle base/clamp. The control arm is reverse threaded. **Do not overtighten.** Locking the Reaper Hellbound Grip into position takes minimal torque. *Overtightening the control arm may damage your Reaper Hellbound Grip.* Your Reaper Grip is now assembled and ready to attach to any 3/8-16" threaded tripod or other mounting fixture like the KJI Ambush.



ATTACHING / MOUNTING TO TRIPODS OR OTHER MOUNTING FIXTURES

The Reaper Hellbound is equipped with a drag adjustment knob that will increase or decrease tension of the base when attaching/removing the Reaper Hellbound Grip from a tripod or other mounting fixture.

To mount the Reaper Hellbound Grip to a tripod, tighten the drag adjustment knob all the way and screw your unit onto your tripod in a clockwise manner. You should not be able to rotate the silver mounting base.

Loosen the drag adjustment knob to allow your Reaper Hellbound to freely pan from left to right. It should remain secure in its threading. Check rotation by slightly rotating it in either direction before rotating the Reaper Hellbound 360°. It should rotate smoothly and freely and should not come loose.

To remove your Reaper Hellbound from your tripod, tighten the drag adjustment knob all the way and rotate the unit in a counter-clockwise manner to loosen it.

DRAG ADJUSTMENT SCREW FOR TILT



The Reaper Hellbound Grip is equipped with a drag adjustment screw which allows tension adjustments to the vertical tilt (up/down) function of the grip.

Insert the supplied hex key into the drag adjustment screw (see figure) and rotate clockwise to tighten the tilt shaft or rotate the screw counterclockwise to loosen it.

Do not overtighten the drag adjustment screw. Doing so may damage your Reaper Hellbound Grip.

DRAG ADJUSTMENT SCREW FOR PAN

The drag adjustment knob used to install the Reaper Hellbound Grip onto a tripod can be used to modify tension adjustments to the pan (left/right) function of the grip.

Rotate the drag adjustment screw clockwise to increase horizontal resistance, and rotate counter-clockwise to decrease it.

Do not overtighten the drag adjustment screw. Doing so may damage your Reaper Hellbound Grip.



SECURING A STOCK / CHASSIS IN THE GRIP

To secure a stock or chassis in the Reaper Hellbound Grip, loosen the grip adjustment knob and set your firearm's forestock into the grip just forward of your magazine compartment. Make sure your firearm's ejection port and/or any moving parts are not covered. Hold the rifle so the stock or chassis is resting completely at the base of the grip.

Tighten the grip adjustment knob until the rifle is firmly secured between the two orange grip pads.



MAINTENANCE

Proper maintenance of the KJI Reaper Hellbound Grip is recommended to ensure longevity.

It is recommended that when the grip becomes dirty it is wiped down and cleaned with an all-purpose cleaner on all external surfaces.

To clean the grip drive screw, use a rag and wipe clean the surface of any dirt and debris. Once clean, use a penetrating lubricant and lightly coat the screw as needed.

- Do not use lubricants or grease on the shaft that holds the mounting base to the saddle base/clamp.
- Do not attempt to disassemble any components of the Reaper Hellbound Grip.

STORAGE

When not using the Reaper Hellbound Grip proper storage is recommended. This includes:

- Removal of any firearm from the grips, keeping the grips loose from each other. This will help not have any deformation of the grip pads when not in use.
- Removal of the Reaper Hellbound Grip from the tripod.
- Loosen any of the drag screws and knobs. This will help extend the lifespan of the nylon drag inserts.

WARNING

Before handling the Reaper Hellbound Grip, read and understand the contents of your tripod manual, as well as this KJI Reaper Hellbound Grip manual. Follow these safety precautions:

- Never leave a loaded firearm in the grip without maintaining positive physical control over the shooting system.
- Do not exceed your tripod's maximum load capacity. (see your tripod manual.)
- Ensure the Hellbound Reaper Grip is fastened tightly to your tripod.
- Ensure your firearm is gripped tightly and is secured at the bottom of the grip assembly.
- Always remove your firearm and accessories from the Hellbound Reaper Grip during setup and before transporting.

TROUBLESHOOTING

IF THE GRIP KNOB FEELS GRITTY OR DOESN'T TURN SMOOTHLY:

- Wipe the drive screw with a rag and apply a penetrating lubricant to the screw.
Run the grip in and out the length of the screw. A second application may be required.

If this does not fix the issue, please contact the KJI customer service team by visiting our website www.kjiprecision.com.

NOTES

Please visit www.kjiprecision.com for warranty details and information.



www.kjiprecision.com