



AMBUSH ASSEMBLY



**MOUNTS ON
WINDOW LEDGE**



**LOCKED IN PLACE
WHEN SET**



**FIREARM SITS
ABOVE THE LEDGE**



**PICK UP AND
MOVE EASILY**



**ADJUST BIPOD
TO FIT LEDGE**



**HEAVY DUTY
CONSTRUCTION**



USER MANUAL

EU-KJ85005

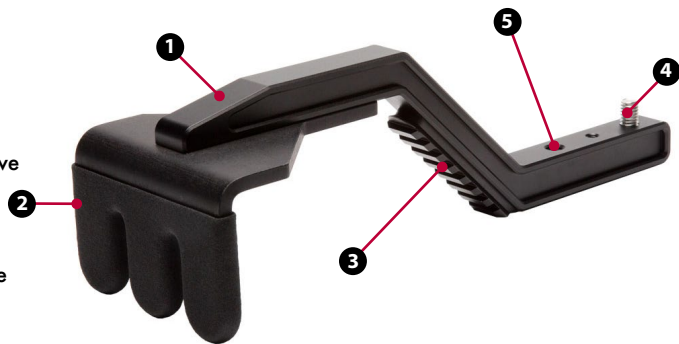
AMBUSH ASSEMBLY

The Ambush is a fully patented (U.S. Patent 9.200,858 B2) shooting rest system designed to attach to hard-sided hunting blind wall/window openings. The Ambush minimizes movement while promoting fatigue-free, confident shooting.

A bipod (included in the kit model only) is required for the Ambush rest system to be functional.

DIAGRAM

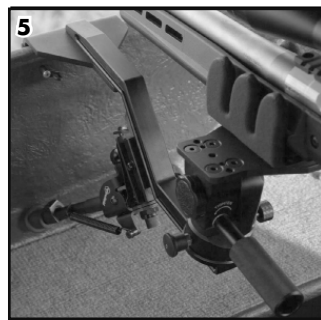
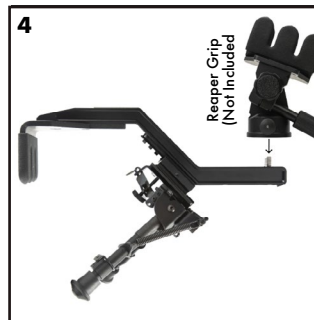
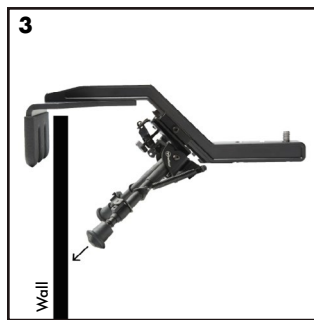
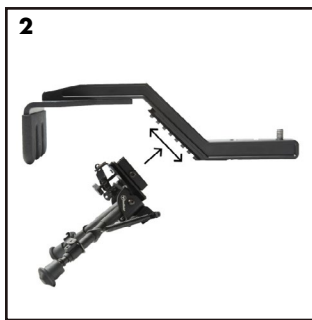
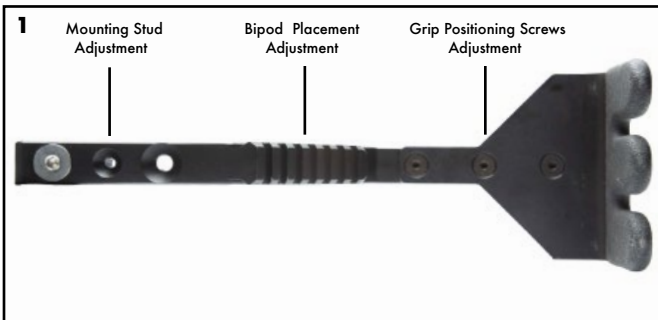
1. Ambush Assembly Arm
2. 90 Degree Grip and Sleeve
3. Picatinny Rail
4. Threaded Base Screw
5. Adjustment Threaded Hole



SPECIFICATION:

GENERAL DESCRIPTION	
Brand Name	KJI
Model Name	Ambush Support Assembly
Category Name	Shooting Rest
SKU Number	EU-KJ85005
UPC Number	812495029370
TECHNICAL SPECIFICATIONS	
Dimension, in/mm	12,24 x 4,17 x 3,4 / 311 x 106 x 86
Material	Aluminum
Weight, Lbs/g	1,22 / 554
INCLUDED ACCESSORIES	
	1/4"-20 Mounting Bolt
	3/8"-16 Mounting Bolt
FEATURES	
	EU-KJ86000 KJI Reaper Grip System
	EU-KJ86002 KJI Rail System - Picatinny
	EU-KJ86003 KJI Reaper Rail System - Arca Swiss
	EU-KJ89004 KJI Replacement Grip Sleeves

Please visit www.KJIprecision.com for warranty details and information



AMBUSH ADJUSTMENTS

This grip portion is adjustable by removing the three screws located on the underside of the grip. This will allow the shooter to reposition the grip portion of the desired setting and reattach the screws. This feature enables the frame of the Ambush to extend deeper into the deer blind. (figure 1)

Another adjustment feature is the three drilled and threaded holes on the lower portion of the Ambush frame. (figure 1) Used in conjunction with one of our KJI rifle rests, the shooter is allowed to choose the mounting location that best fits the shooter, the blind and the firearm being used. The Ambush comes with a 3/8"-16 stainless steel mounting bolt as well as a 1/4"-20 bolt and can also be used with other full-sized ball head options.

The final adjustment feature built into the Ambush, designed to customize the Ambush's fit in different

blind designs, is the Picatinny rail section. It is important to attach the bipod on the correct section of rail, as well as make sure the bipod legs are angled out and extended until the Ambush Rail is parallel to the floor of the blind. (figure 3) Extending or reducing the length of the bipod legs ensures a secure attachment of the Ambush to the blind at the proper angle.

ATTACHING AND DETACHING THE AMBUSH

To attach the Ambush to the wall of a blind, simply place the grip over the edge of the windowsill. Adjust the bipod leg angle to approximately 45° and extend the legs until the bipod feet are against the blind wall. With the bipod mounted and legs extended correctly, the Ambush Assembly Arm should be parallel to the blind floor. Note: Positioning the bipod correctly is essential because it supports the weight of the rifle. Improper fitting of the bipod to the Ambush and the wall of the blind could cause the Ambush and rifle to become unstable.

