



K800 CARBON FIBER TRIPOD



**3-POSITION
ANGLE LOCKS**



**LIGHTWEIGHT
CARBON FIBER**



**UP TO 162 CM FULLY EXTENDED
UNDER 51 CM FOLDED**



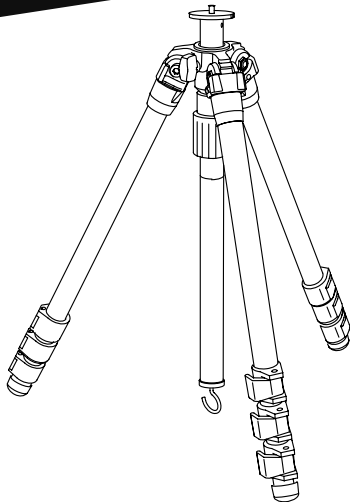
**HEAVY DUTY
LEG LOCK LEVERS**



**REVERSIBLE
CENTER COLUMN**



**UP TO 9 KG
LOAD WEIGHT**



USER MANUAL

EU-KJ85002

K800 CARBON FIBER TRIPOD

Execute the perfect shot with the rock-solid stability of the KJI K800 Carbon Fiber Tripod. Designed to specifically meet the demanding needs of LEO, military, hunting and high-stakes precision shooters, premium features include 3-position angle locks and 4-level leg extensions for the best positioning from prone to standing to ensure your rifle remains completely steady, while also fighting fatigue. To adjust the tripod's height, lift the lever-lock lever and extend or retract the leg section as desired, and then lock the lever down again. The added reversible center column features a hook so users can add more weight for further anchoring. The K800 reaches a maximum height of 162cm when fully extended, and a minimum of 51cm when retracted. Additionally, the K800 comes complete with a tripod case, rubber grip feet and 3/8"-16 (1/4"-20) reversible threaded stud.

SPECIFICATIONS

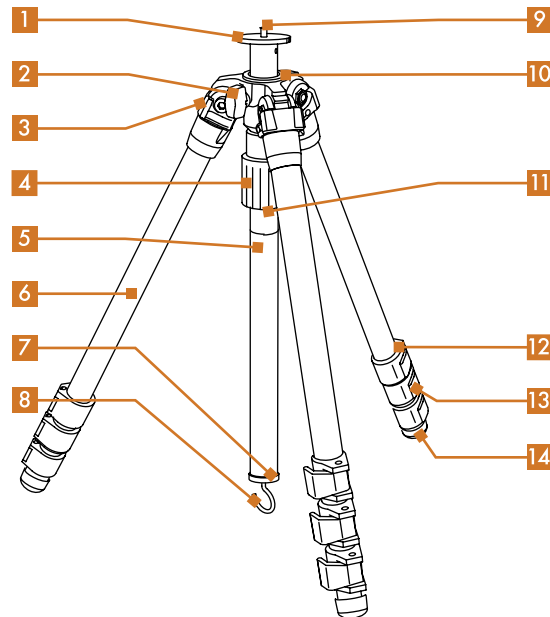
Maximum operating height (in/mm)	64 / 1626
Minimum operating height (in/mm)	7.5 / 191
Maximum center column extension (in/mm)	52.2 / 1325
Folded length (in/mm)	19.75 / 502
Material	Carbon fiber
Weight (lbs/g)	3.5 / 1560
Number of leg sections	3
Maximum load	20 lbs / 9 kg
Leg lock type	Lever lock

INCLUDES:

- Carrying case
- Allen key

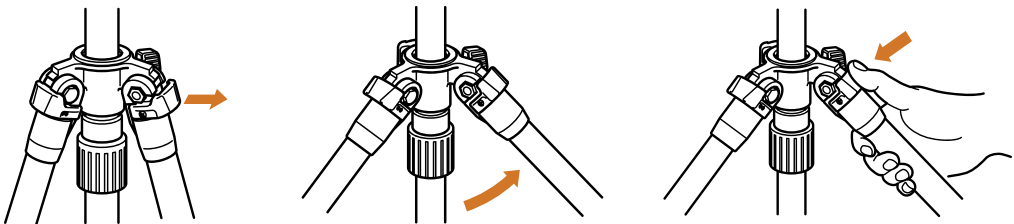
DIAGRAM

1. Center column
2. Center column stopper
3. 3-position leg angle adjustment lock
4. Center column locking nut
5. Lower part of center column
6. Leg
7. Center column base stopper
8. Weight hook
9. Pan head attachment screw
10. Main body
11. Upper part of center column
12. Leg lock
13. Leg lock lever
14. Leg tips



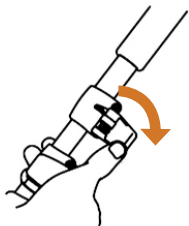
ADJUSTING LEG ANGLE

To change the angle of each leg, close the leg slightly and then pull the angle adjustment lock out. After choosing the desired leg angle, securely push in the adjustment lock.



EXTENDING TRIPOD LEGS

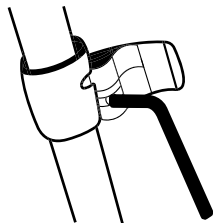
Flip up the leg lock lever and extend or shorten each individual leg to the desired height. Press the leg lock lever to lock in position.



ADJUSTING LEVER FIXED POWER

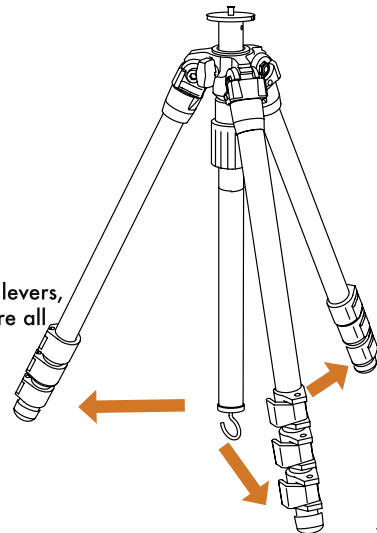
When the lever does not perform enough fixed power, adjust it with an Allen wrench. Do not over turn the screw. It may break the leg.

⚠ Caution



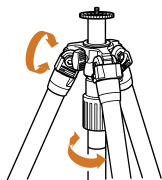
CAUTION: SETTING UP

To prevent the tripod from accidentally tipping over, make sure all levers, knobs and handles on the tripod are secured tightly. Also make sure all three legs are opened all the way.



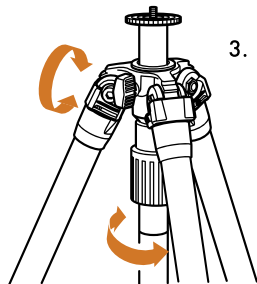
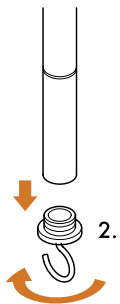
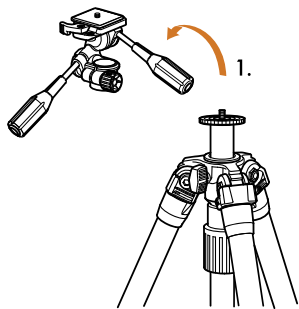
USING THE CENTER COLUMN

- A – Screw-type center column stopper is used to lock and unlock the center column.
 - B – Twist-type center column locking nut is used to adjust a tension of the movement.
- Both A and B must be locked for fixing the center column.



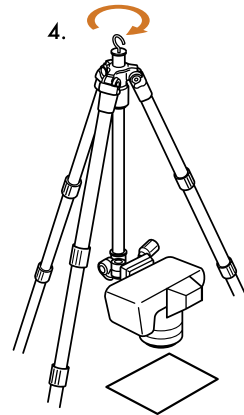
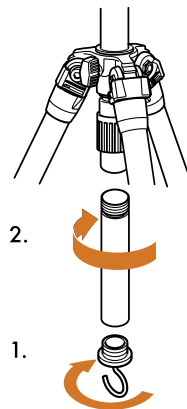
INVERTING THE CENTER COLUMN

- Remove the pan head.
- Remove the center column base stopper turning to the direction of arrow (left.)
- Loosen the center column stopper and the center column locking nut and then pull out the center column.



HOW TO USE PRONE OR SITTING POSITIONS

- Remove the center column base stopper and then remove the lower part of the center column.
- Put the center column base stopper on the upper part of the center column.
- Insert the center column from the lower side of the main body and tighten the center column stopper.
- Make sure to re-attach the center column base stopper in order to prevent the center column from falling out accidentally.



CHANGING THE PAN HEAD FIXED SCREW

The pan head fixed screw is reversible for either large thread (3/8") or small thread (1/4").

Move the plate cover down.

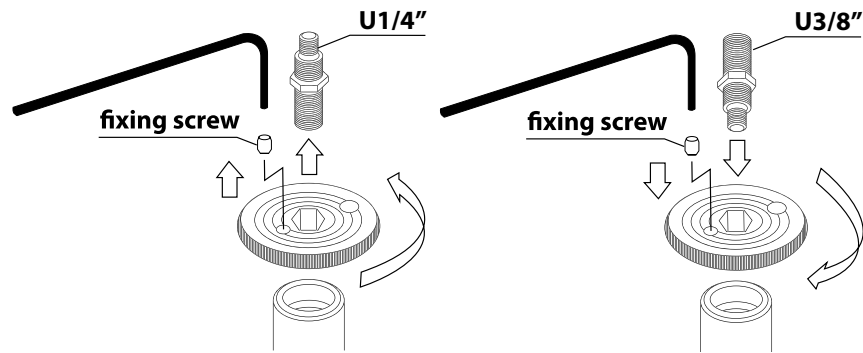
Loosen the small screw in about three turns with an Allen wrench (2.5mm width.)

Loosen the plate without removing the small screw.

Loosen the pan head fixing screw and pull it out. Then, screw it in again after reversing the top and bottom.

Adjust the height of the screw in approx. 8mm above the plate and then tighten the small screw with an Allen wrench.

Put the plate cover back.



REPLACEMENT PARTS

If your tripod's feet begin to wear down, then simply visit www.KJlprecision.com to purchase replacement feet (EU-KJ85002.002). Simply screw off the old rubber grip feet and replace with the new grip feet.

MAINTENANCE

DO NOT apply any grease or oil anywhere on this tripod.

Clean with a mild detergent and a soft cloth only.

Avoid extreme heat and do not use close to a flame.

WARNING

Before handling the tripod, read and understand the contents of the manual. Follow all standard safety precautions and procedures during use.

Never leave a loaded firearm on the tripod without having positive physical control over the shooting system.

Do not exceed the tripod's maximum load capacity.

Ensure all accessories are fastened.

Always remove camera, spotting scopes and other accessories during setup or transport.

WARRANTY

Please visit www.KJlprecision.com for warranty details and information.

NOTES



www.KJlprecision.com